

# 安装说明

## 非接触式小便器

记录您的型号：  
Record your model number: \_\_\_\_\_

English, page 13

**KOHLER**<sup>®</sup>

1611495-T2-A

## 感谢您选择科勒

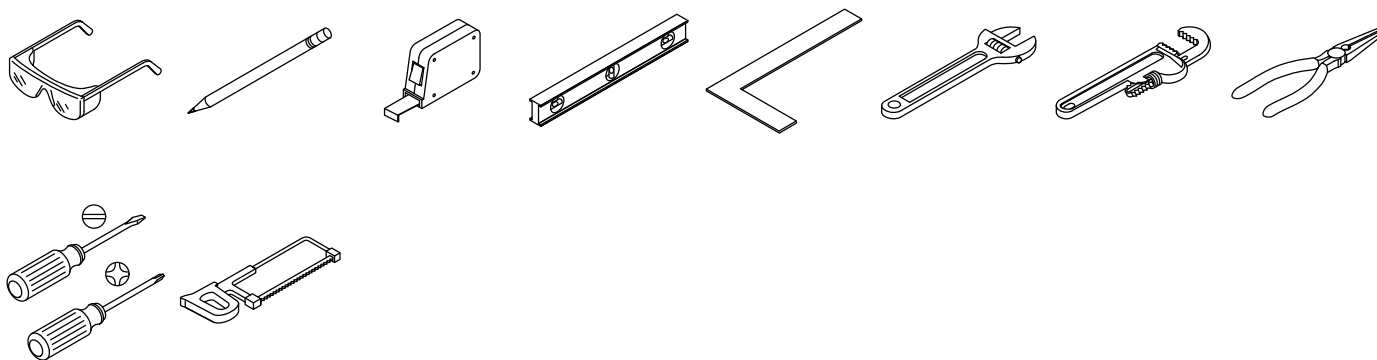
---

需要帮助？请联系我们的客户服务中心。

- 中国大陆：+(86) 800-820-2628, +(86) 400-820-2628
- 保养和清洁：[kohler.com.cn/support/care-and-cleaning/](http://kohler.com.cn/support/care-and-cleaning/)

## 所需工具和材料

---





### 其他所需的工具和材料：

- 便捷的木工工具和材料
- 钻孔设备
- 适量的螺丝
- AA 碱性电池 (4)
- 截止阀
- PVC 胶
- 硅酮润滑脂
- 安装过程中用于支撑小便器的台面

## 开始之前

---

 **警告：** 存在触电风险。维修前请先断开电源。

 **小心：** 人身伤害风险。请小心操作本产品。如果粗心大意地操作本产品，玻璃瓷可能会碎裂或损坏。

小便器可以使用直流或交流供电工作。按照安装说明中的步骤安装电池盒（单独出售）或交流供电装置（单独出售）。

**注：** 仅限直流供电：K-24484T-NA 电池盒单独出售。

**注：** 仅限交流电源安装：K-16305T-NA 交流供电装置单独出售。

打开包装并检查产品是否损坏。将产品放回纸箱直至安装。

所显示的产品可能与您的实际产品不同。但安装步骤仍然适用。

安装供水管道。

本产品遵守 GB 6952-2015、GB 28377-2019。

请遵守当地管道安装、建筑及电气条例。

关闭供水系统。

**阅读并遵守所有说明**

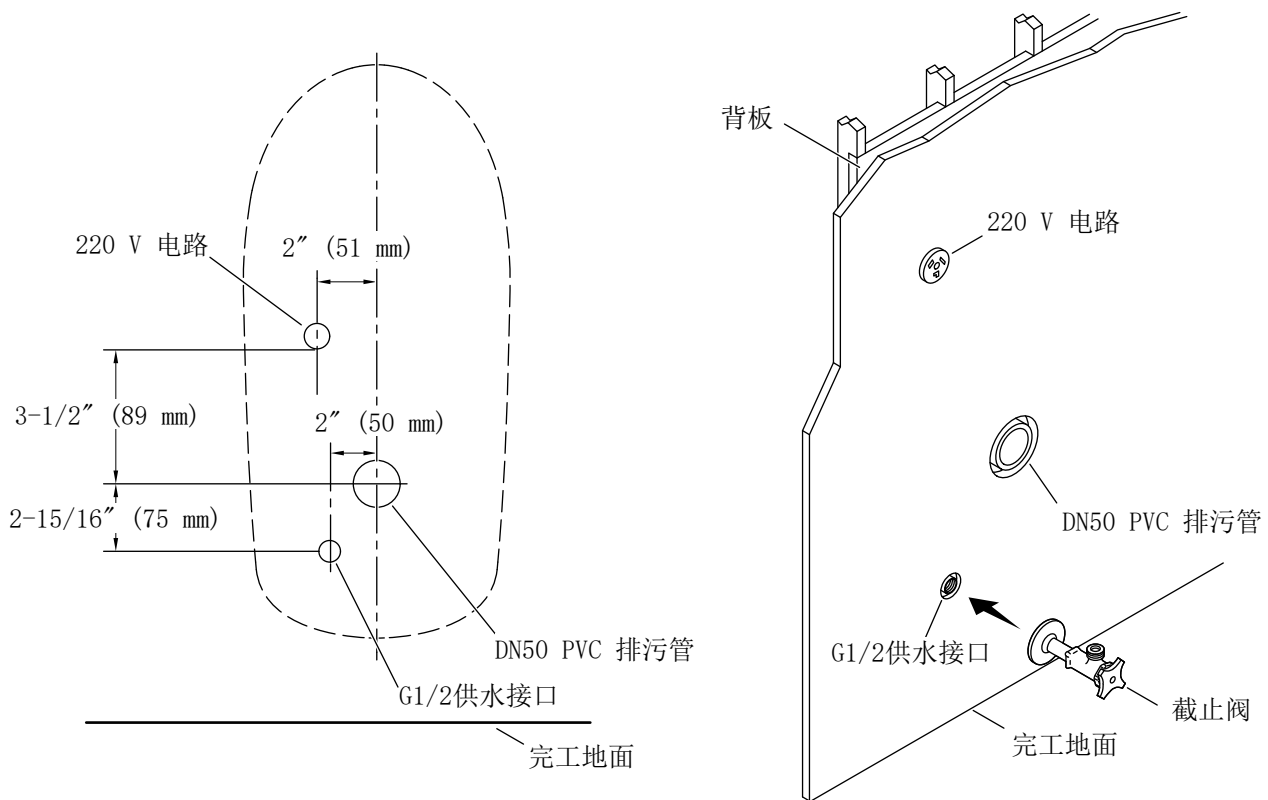
**保存说明书**

## 产品规格

注：表中的传感器感应范围在测量时以一块 1-3/16"（300 mm） x 1-3/16"（300 mm）的板作为反射面。

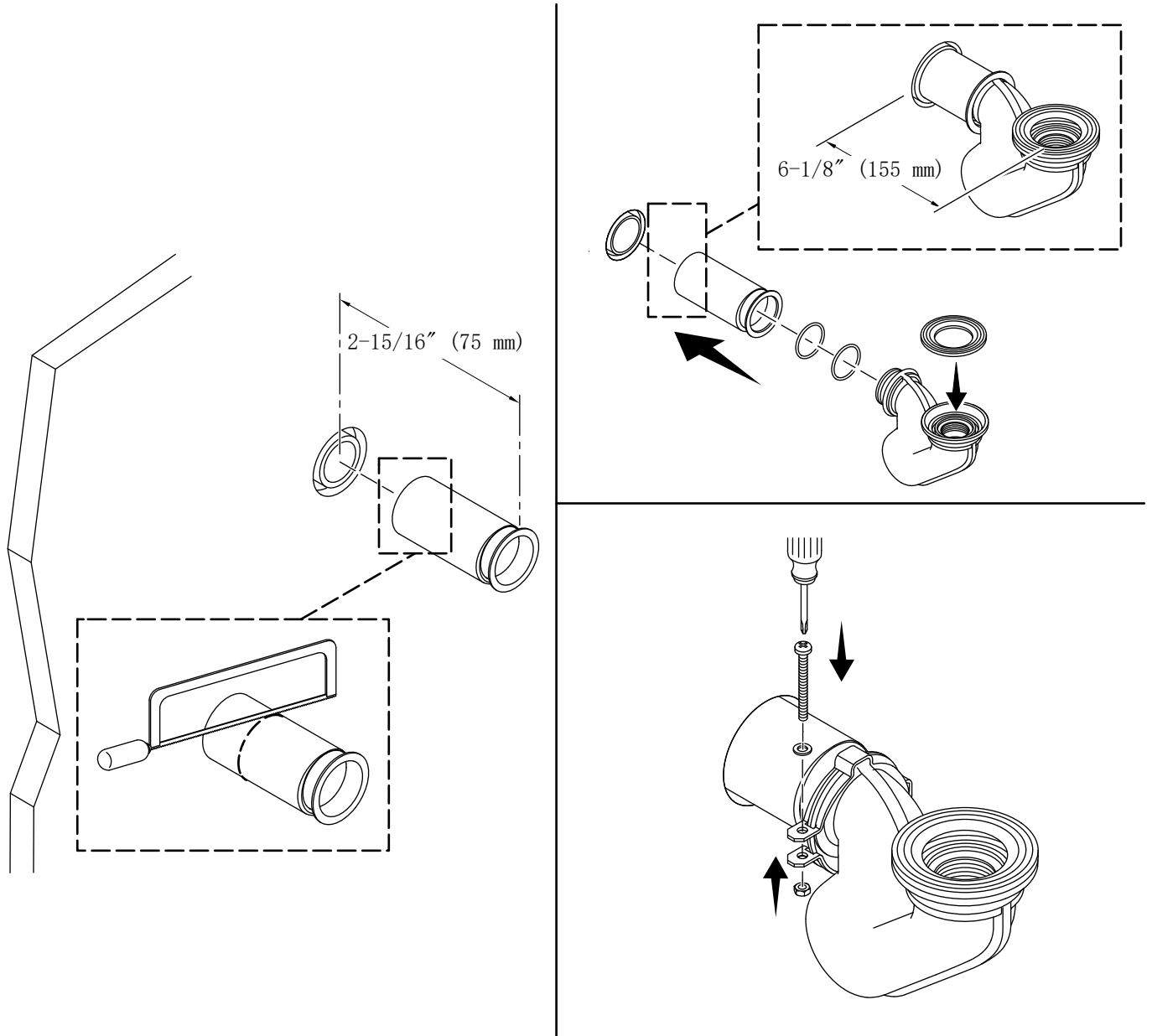
|      |  |
|------|--|
| 电源   | 直流供电装置：四节 AA 碱性电池<br>K-24484T-NA（单独出售）                                       |
|      | 交流/直流变压器输入：AC 220 V 50/60HZ<br>K-16305T-NA（单独出售）                             |
| 冲水量  | 标称用水量：0.66 gpf (2.5 lpf)<br>水压为 0.18 - 0.55 MPa 时：平均不超过 0.66 gpf (2.5 lpf)   |
|      | 标称用水量：0.125 gpf (0.5 lpf)<br>水压为 0.18 - 0.55 MPa 时：平均不超过 0.125 gpf (0.5 lpf) |
| 使用温度 | 环境温度：34°F (1°C) - 131°F (55°C)   |
| 启动压力 | 0.05 MPa - 0.86 MPa  |
| 感应范围 | 距离传感器 27-9/16"（700 mm）   |
| 检测时间 | 大约 5 秒（自动调整）   |
| 冲洗方式 | 双重冲洗：0.66 加仑（2.5 升）  |
|      | 使用后冲洗：0.125 加仑（0.5 升）  |

## 1. 安装场地准备



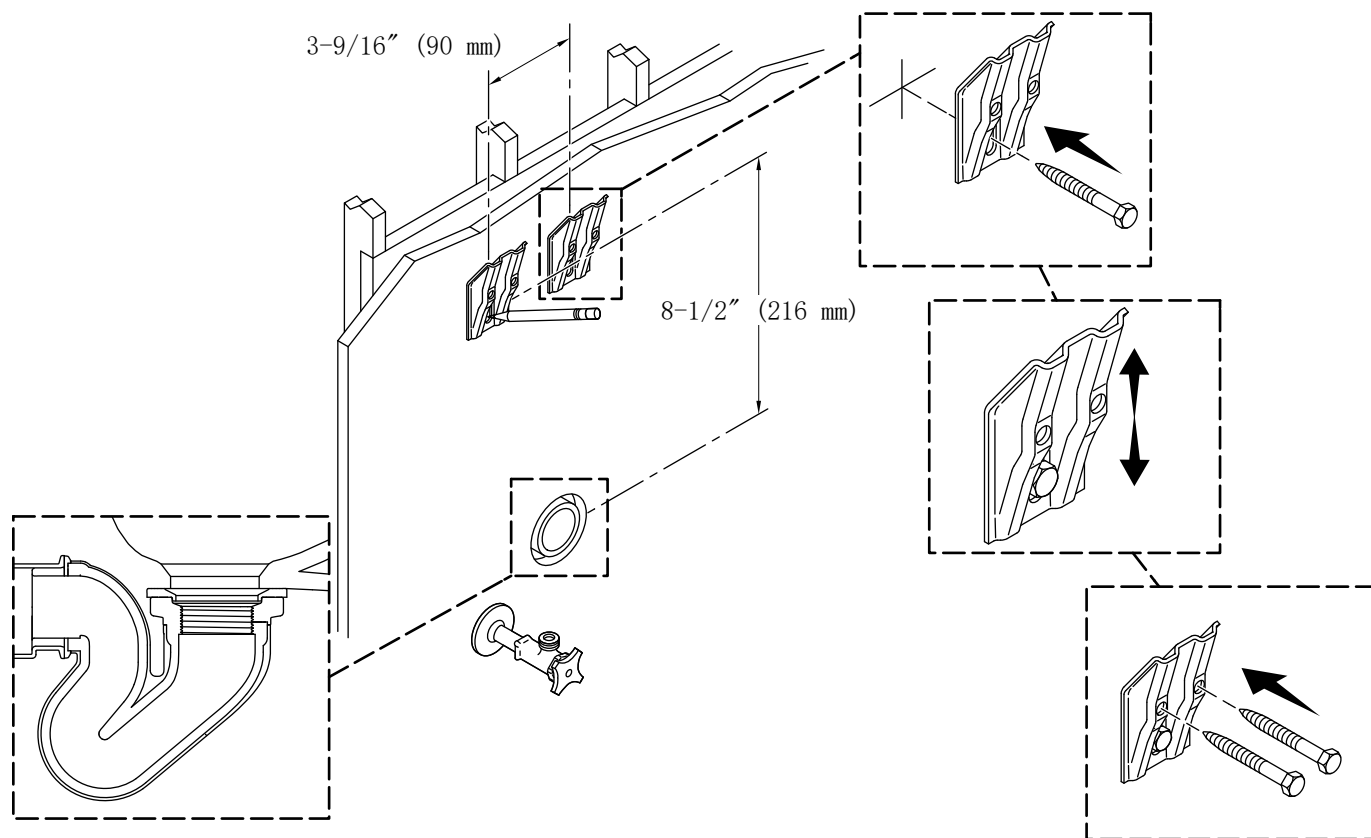
- 如有必要，安装背板，以便加强支撑。核实背板的正面是否与螺栓齐平。
- 按照产品尺寸图安装 DN50 PVC 排污管。
- 按照产品尺寸图安装 G1/2（内螺纹）供水接口。
- 仅限交流电源安装：** 安装 220 V 电路。
- 安装止水阀。

## 2. 准备排污管道



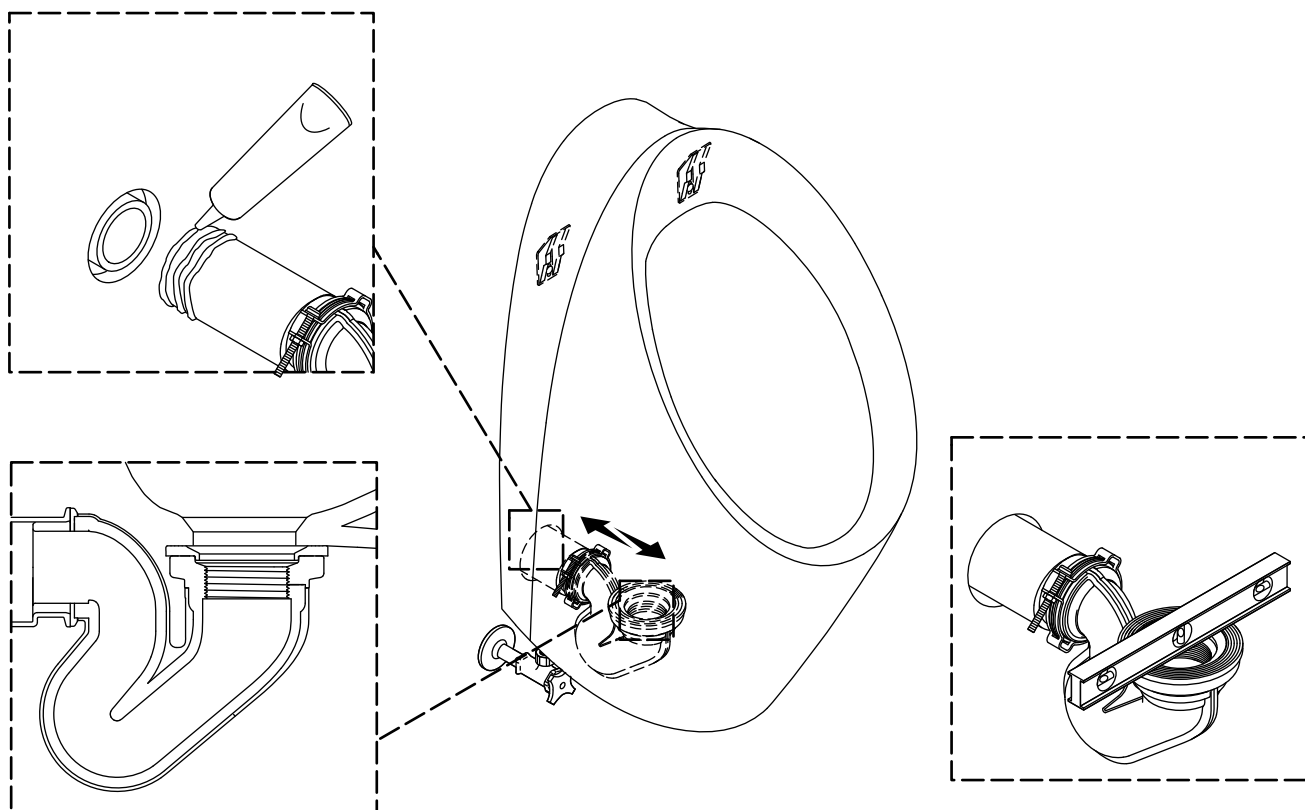
- 在距离成品墙 2-15/16" (75 mm) 处，宽松地将管道转接头安装到污水管内。根据 需要切割管道转接头。
- 组装存水弯道，核实存水弯道的中心是否距离成品墙 6-1/8" (155 mm)。
- 用卡箍将排污管道固定到管接头上。

### 3. 安装挂钩



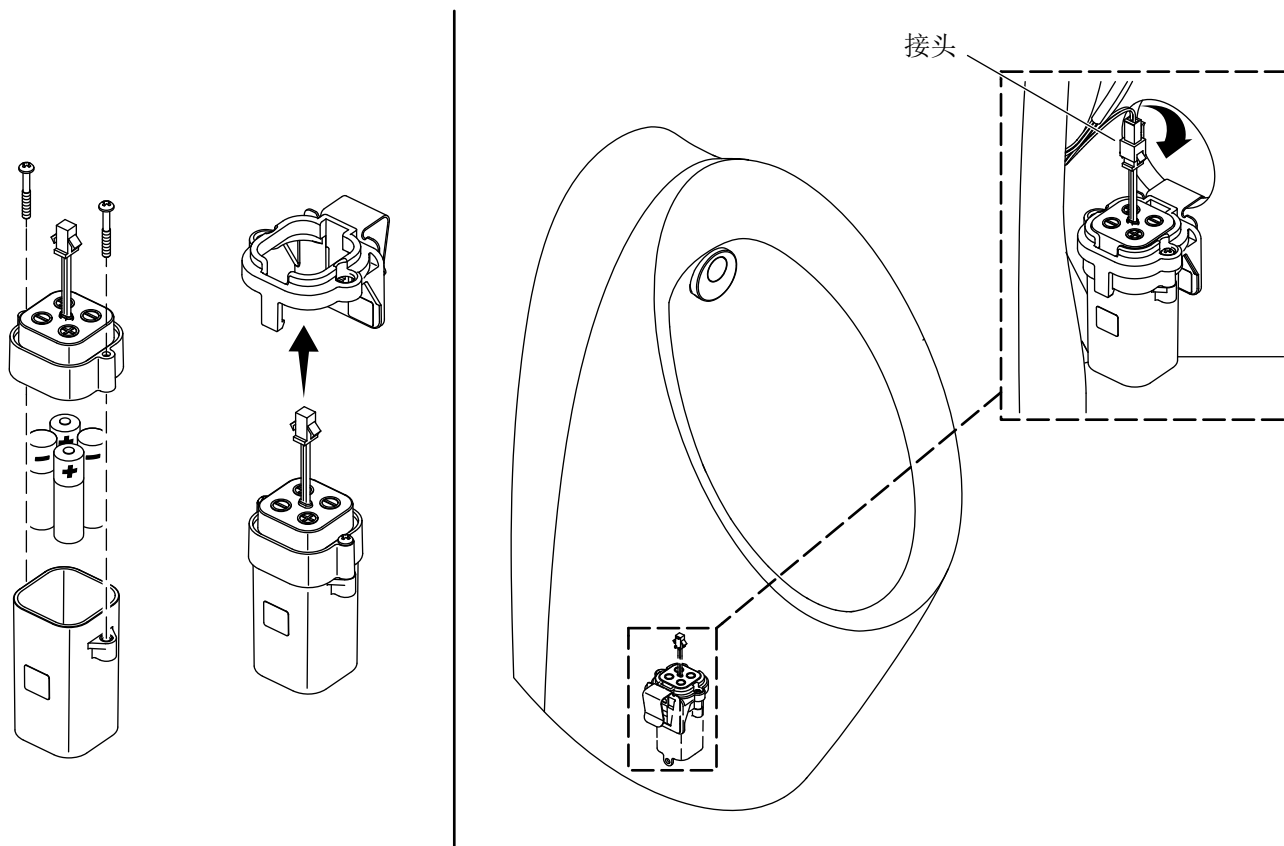
- 使墙壁挂钩的底部插槽位于污水管中央上方 8-1/2" (216 mm) 处。
- 使墙壁挂钩的中心彼此相距 3-9/16" (90 mm)，并标记螺丝底部插槽的中心。
- 在标记孔位钻孔，然后穿过墙壁挂钩的底部插槽安装螺丝。请勿拧紧螺丝以便调节。
- 小心地将小便器挂到墙壁挂钩上，核实小便器是否与排污通道对齐。
- 拆下小便器。
- 根据需要将墙壁挂钩向上或向下放置。
- 使用随附的螺丝固定墙壁挂钩。

## 4. 安装排污管道



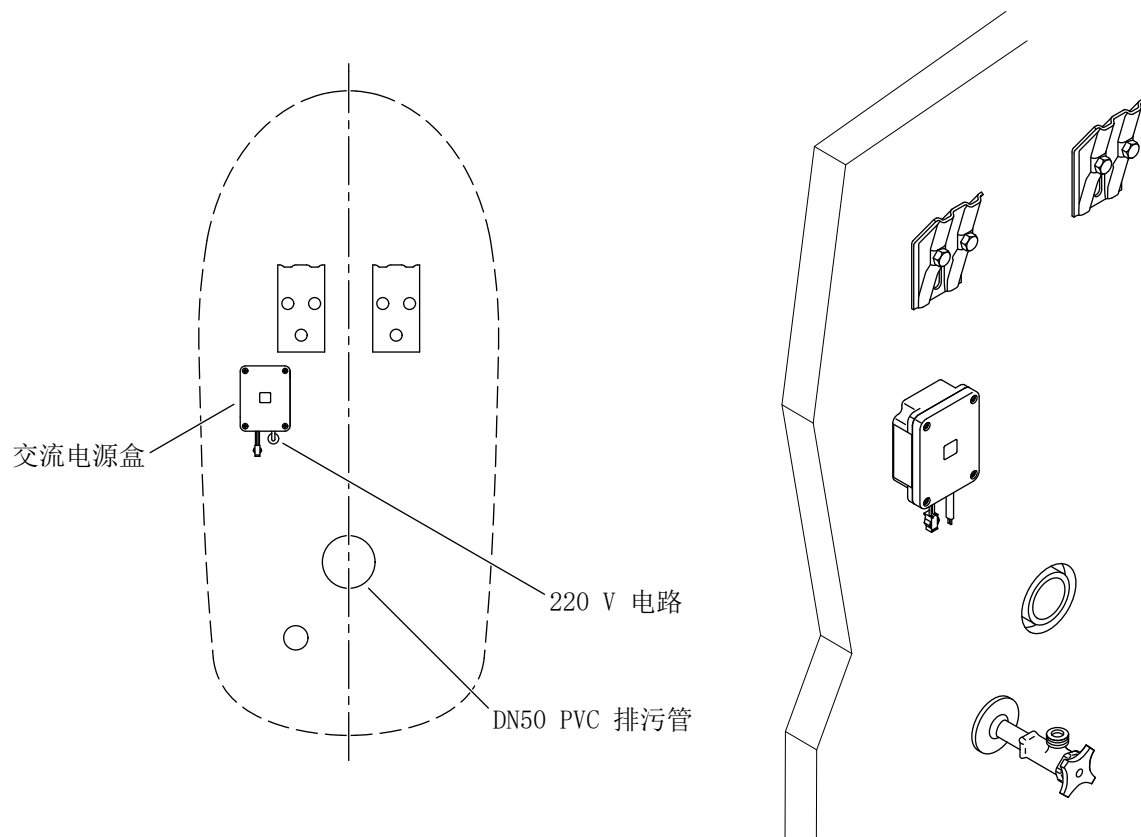
- 将小便器挂到墙壁挂钩上。调整排污通道的延伸部分，使其与小便器对齐。
- 拆下小便器。
- 在管接头的外侧涂上 PVC 胶。
- 将管接头插入污水管。核实排污通道开口是否水平。

## 5. 直流供电 - 安装电池盒



- 拆开电池盒。
- 将 4 节 AA 碱性电池（未随附）插入电池盒。
- 重新组装电池盒。
- 将电池盒安装到支架上。
- 将电池盒接头连接至小便器接头。
- 将电池盒挂在右侧内孔上。

## 6. 交流供电 - 安装交流供电装置



**⚠ 警告：存在触电风险。在实施下列程序之前，请核实电气连接已断开。**

**注：**交流电源装置必须朝下，电线从底部出来。

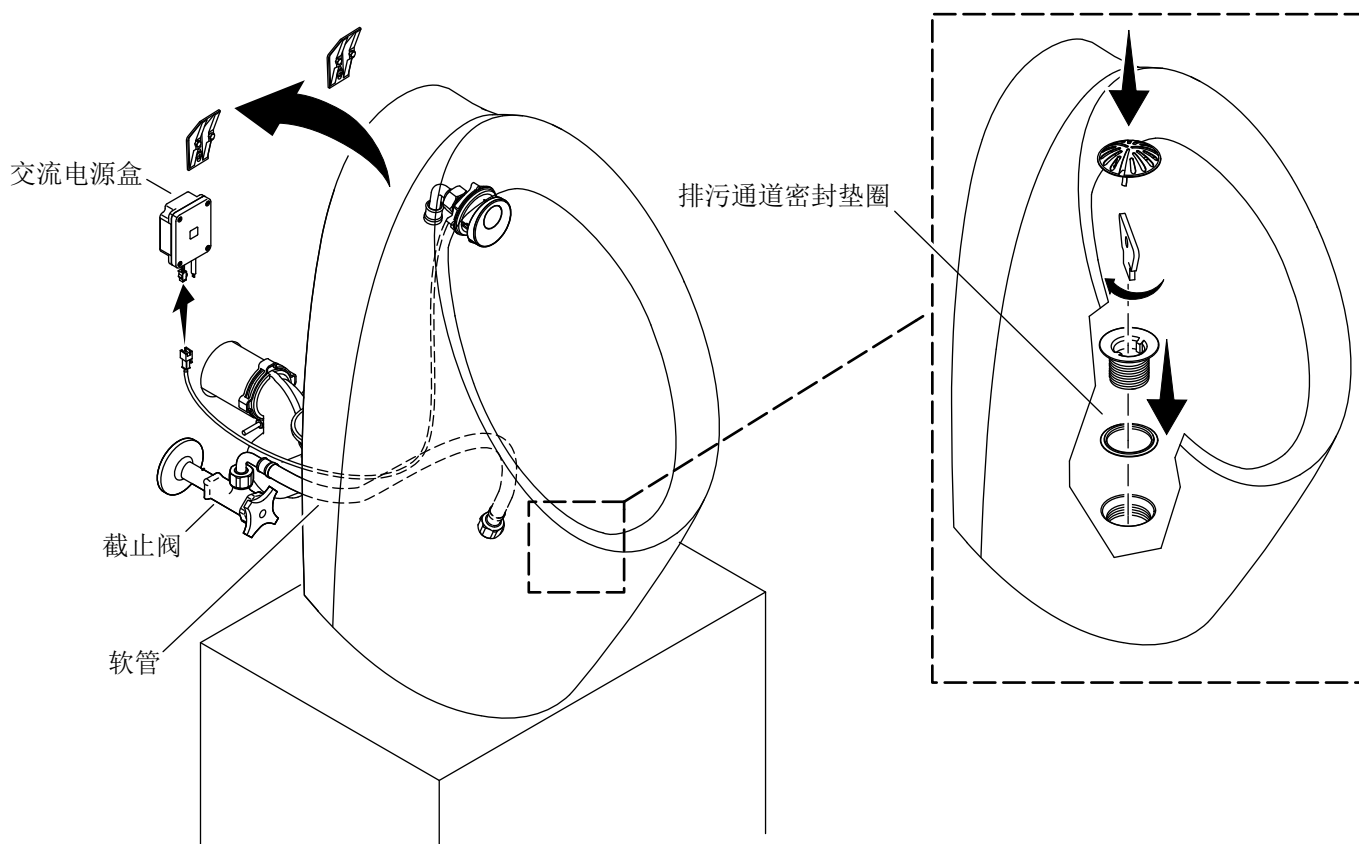
**注：**请勿把 220 V 交流电源装置连接到直连接线端。

**注：**为了避免漏电，请勿损坏交流电源装置盖板或卸下交流电源装置的螺丝。

**注：**交流电源装置最多可为一个小便器传感器供电。

- 关闭供水系统。
- 将交流输入电源线连接到 220 V 电路。
- 安装交流供电装置，方向朝下。从交流供电装置背面的胶条上揭下盖子，将交流供电装置用力按压到墙壁上，使之粘附在墙壁上。

## 7. 安装小便器

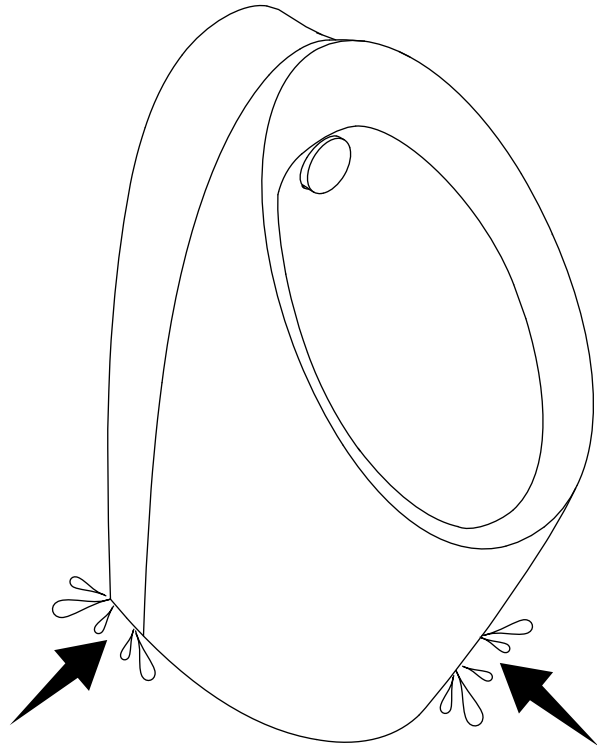
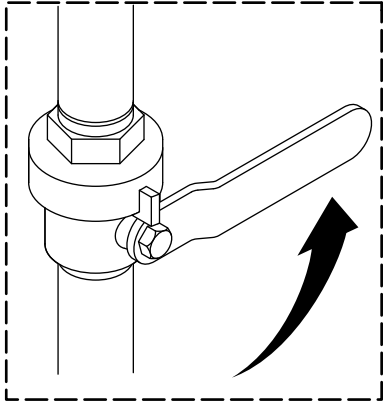


**重要信息!** 为避免损坏滤网 在使用磨砂清洁材料或钢丝绒清洁小便器时，应拆除滤网

- 将小便器放在台面上。
- 将软管连接到截止阀上。用手将软管拧紧 1/2 圈。
- 仅限交流电源安装：** 将传感器电缆连接至交流电源 装置。
- 将小便器挂到墙壁挂钩上。**请勿夹压或扭结软管。**
- 核实小便器是否与排污通道对齐。
- 向排污通道的密封垫圈涂抹硅酮润滑脂。
- 使用所提供的工具手动拧紧内接头。
- 安装下水器。

## 8. 测试小便器

---



- 打开供水阀。
- 站在小便器前至少 10 秒钟。
- 走出传感器作用范围。验证阀门是否会在短暂延迟后冲洗。
- 检查小便器所有连接处有无漏水。

# Installation Instructions

## Touchless Urinal

### Thank You for Choosing KOHLER

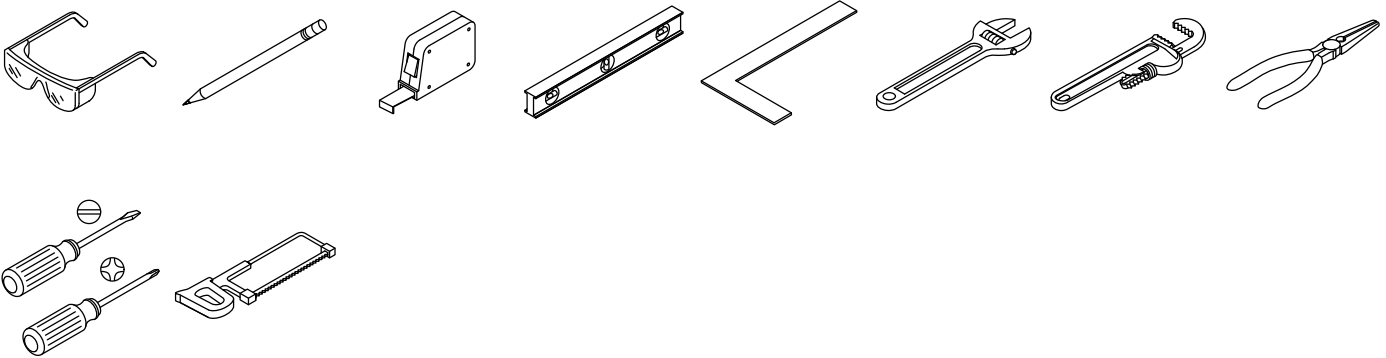
---

Need help? Contact our Customer Care Center.

- Mainland China: +(86) 800-820-2628, +(86) 400-820-2628
- Care and cleaning: [kohler.com.cn/support/care-and-cleaning/](http://kohler.com.cn/support/care-and-cleaning/)

### Required Tools and Materials

---





#### Additional Required Tools and Materials:

- Conventional woodworking tools and materials
- Hole Cutting Equipment
- Appropriate Screws
- AA Alkaline Batteries (4)
- Shut-off Valve
- PVC Glue
- Silicone Lubricating Grease
- Stand to support the urinal during installation

## Before You Begin

---

 **WARNING: Risk of electric shock.** Disconnect the power before servicing.

 **CAUTION: Risk of personal injury.** Handle this product with care. Vitreous china can break or chip if the product is handled carelessly.

The urinal can use DC or AC power to operate. Install the battery box (sold separately) or the AC power unit (sold separately) according to the steps in the Installation Instructions.

**NOTE:** DC Power Installations Only: Battery Box K-24484T-NA sold separately.

**NOTE:** AC Power Installations Only: AC Power Unit K-16305T-NA sold separately.

Unpack and inspect the product for damage. Return the product to the carton until installation.

The product shown may differ from your actual product. The installation steps still apply.

Install the water supply lines and piping.

The product complies with GB 6952-2015, GB 28377- 2019.

Follow all local plumbing, building, and electrical codes.

Turn OFF the water supply.

**READ AND FOLLOW ALL INSTRUCTIONS**

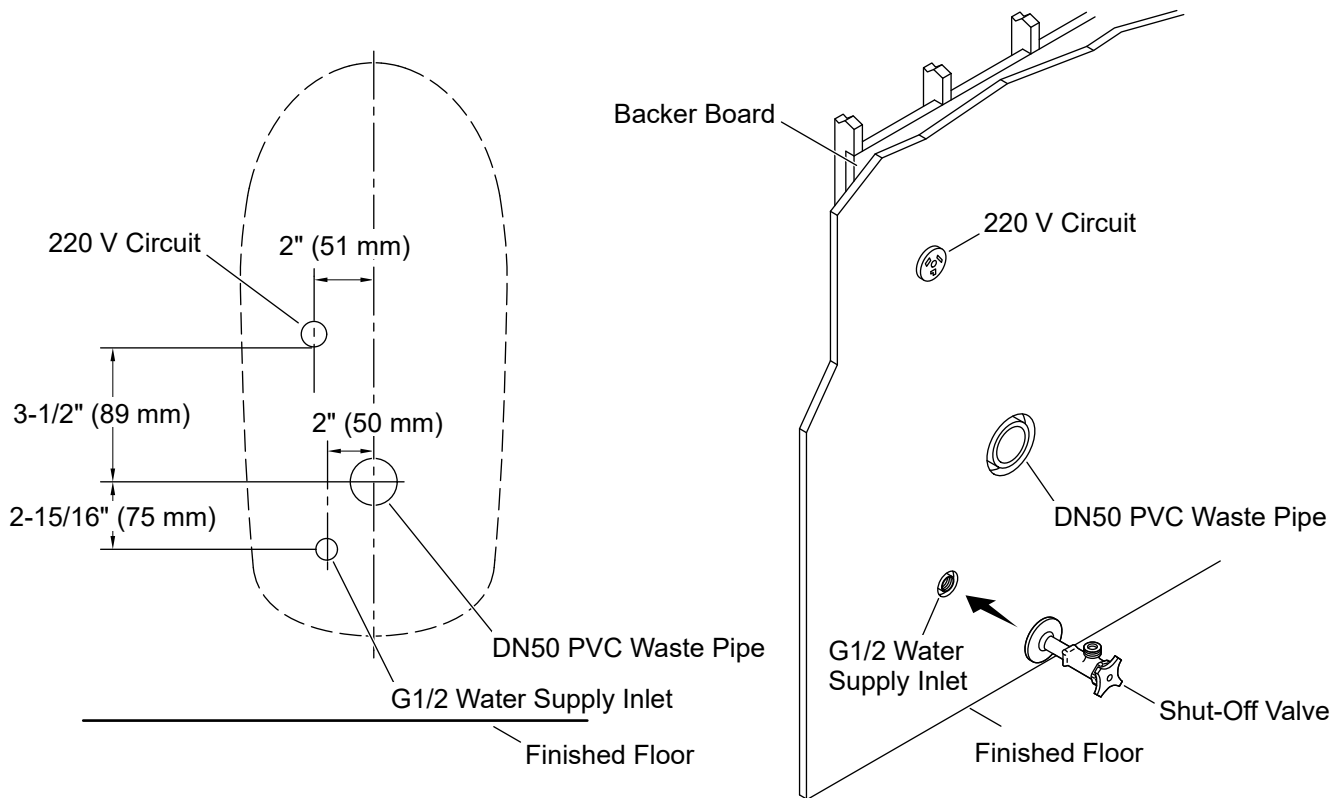
**SAVE THESE INSTRUCTIONS**

## Product Specifications

**NOTE:** The sensor distance in the table is measured with a 1-3/16" (300 mm) x 1-3/16" (300 mm) reflecting surface.

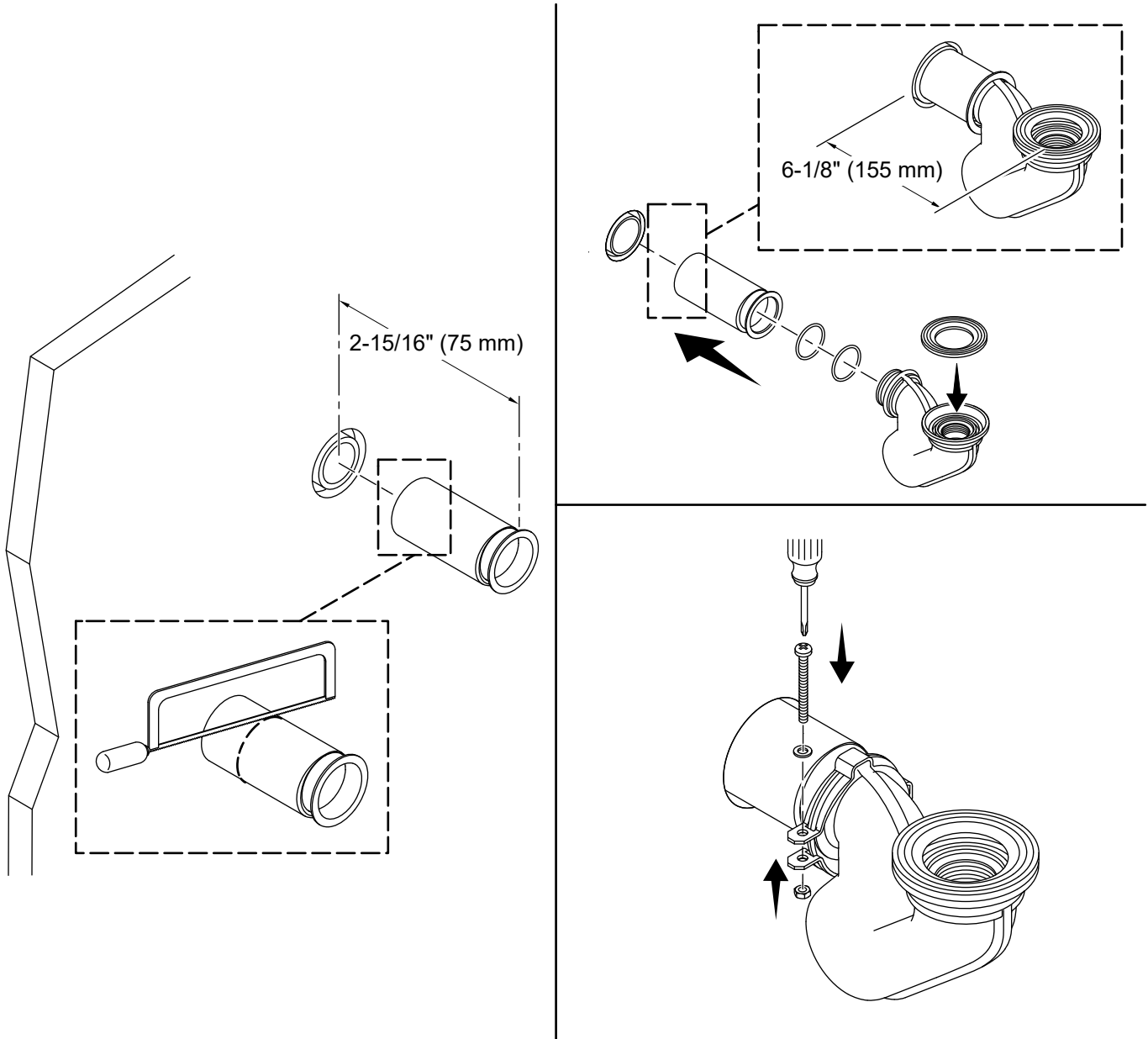
|                       |   |
|-----------------------|---|
| Power                 | DC power unit: four AA size alkaline batteries<br>K-24484T-NA (Sold Separately)   |
|                       | AC/DC transformer input: AC 220 V 50/60HZ<br>K-16305T-NA (Sold Separately)  |
| Flushing Water Volume | Nominal water consumption: 0.66 gpf (2.5 lpf)<br>Water pressure at 0.18 - 0.55 MPa: Average no more than 0.66 gpf (2.5 lpf)   |
|                       | Nominal water consumption: 0.125 gpf (0.5 lpf)<br>Water pressure at 0.18 - 0.55 MPa: Average no more than 0.125 gpf (0.5 lpf) |
| Temperature           | Environmental temperature: 34°F (1°C) - 131°F (55°C)  |
| Starting Pressure     | 0.05 MPa - 0.86 MPa   |
| Sensing Distance      | 27-9/16" (700 mm) away from sensor  |
| Testing Time          | About 5 seconds (Automatic adjustment)  |
| Flushing Mode         | Dual flushing: 0.66 gal (2.5 L)   |
|                       | Flushing after used: 0.125 gal (0.5 L)  |

# 1. Prepare the Site



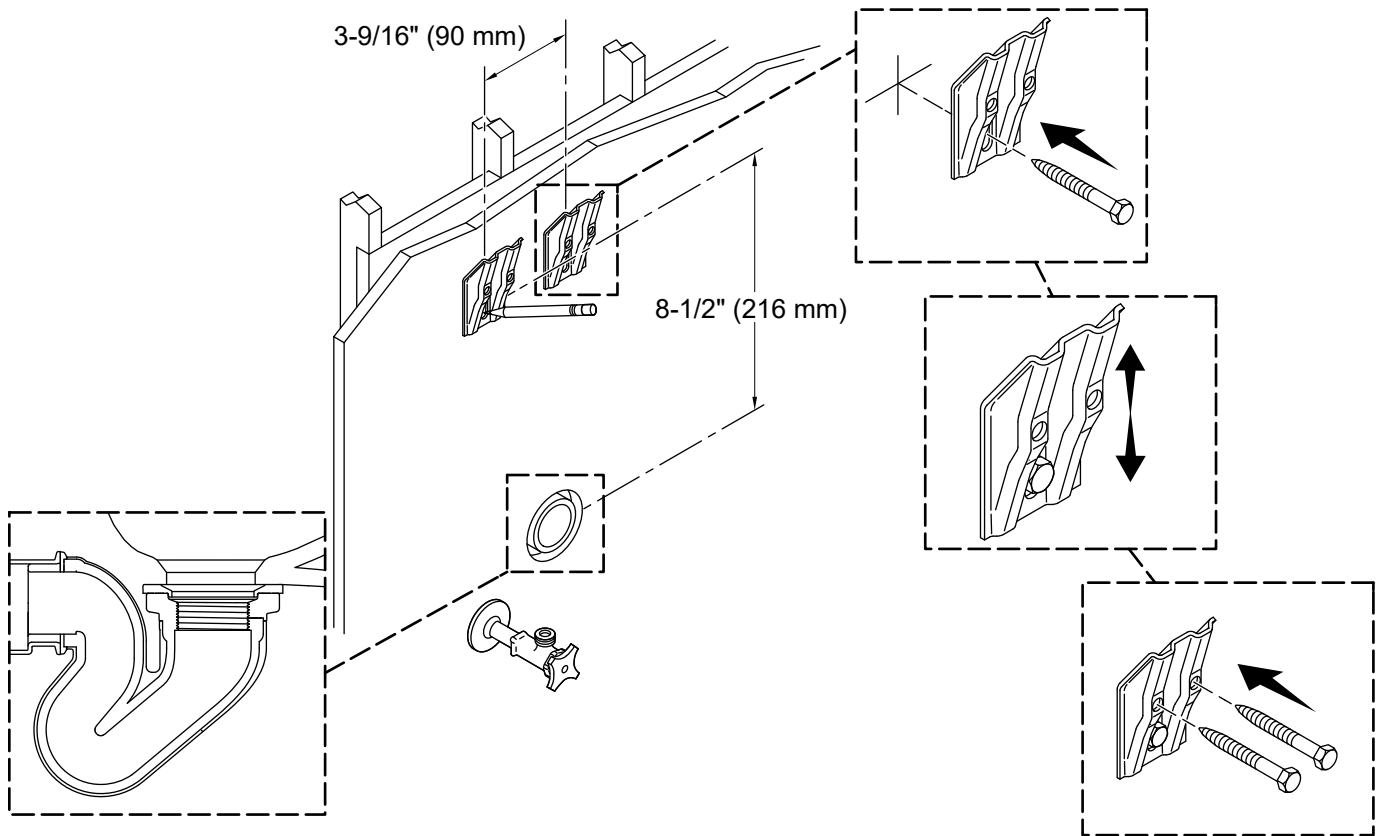
- Install a backer board for additional support, if needed. Verify that the front of the backer board is installed flush with the studs.
- Install a DN50 PVC waste pipe according to the Roughing-In Sheet.
- Install a G1/2 (internal thread) water supply inlet according to the Roughing-In Sheet.
- AC Power Installations Only:** Install a 220 V circuit.
- Install the shut-off valve.

## 2. Prepare the Trapway



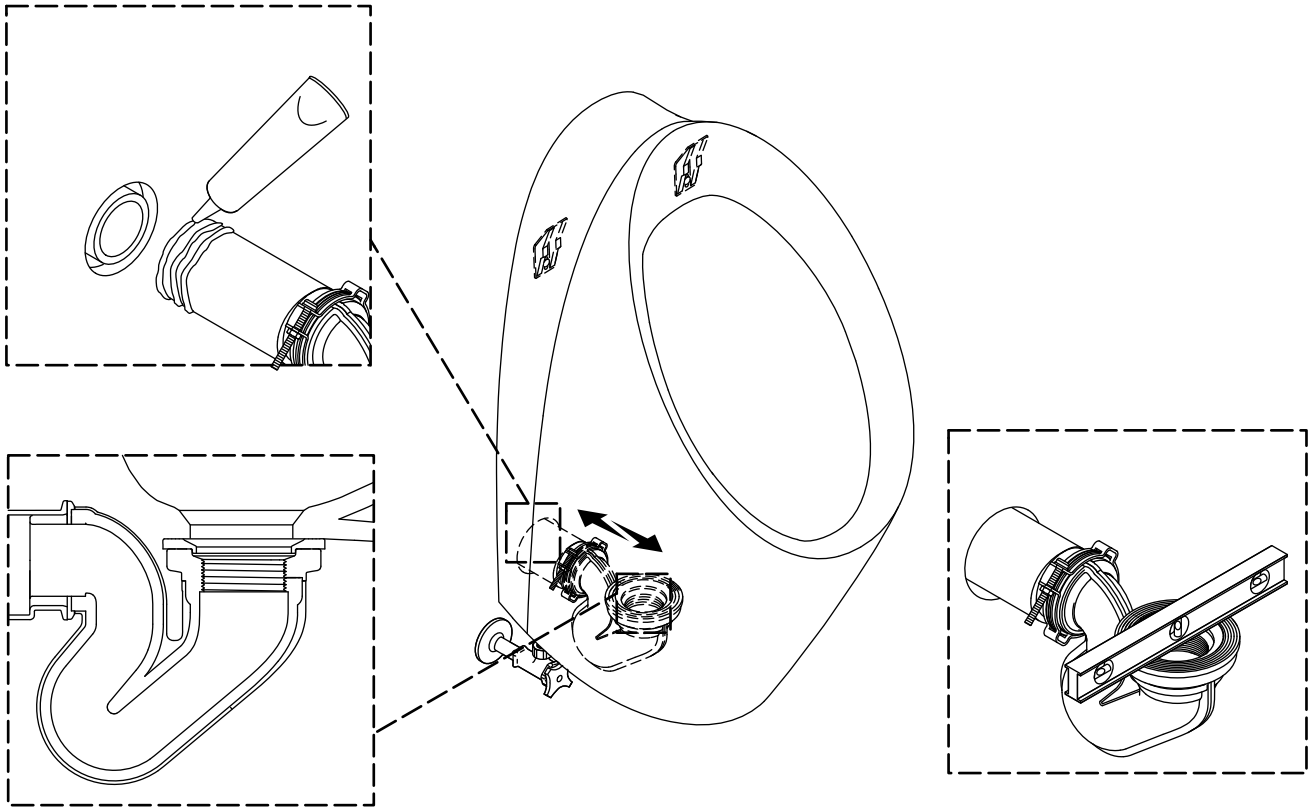
- Loosely install the tube adapter inside the waste pipe  $2-15/16"$  (75 mm) beyond the finished wall. Cut the tube adapter as needed.
- Assemble the trapway and verify that the center of the trapway is  $6-1/8"$  (155 mm) from the finished wall.
- Secure the trapway to the tube adapter with the clamp.

### 3. Install the Wall Hangers



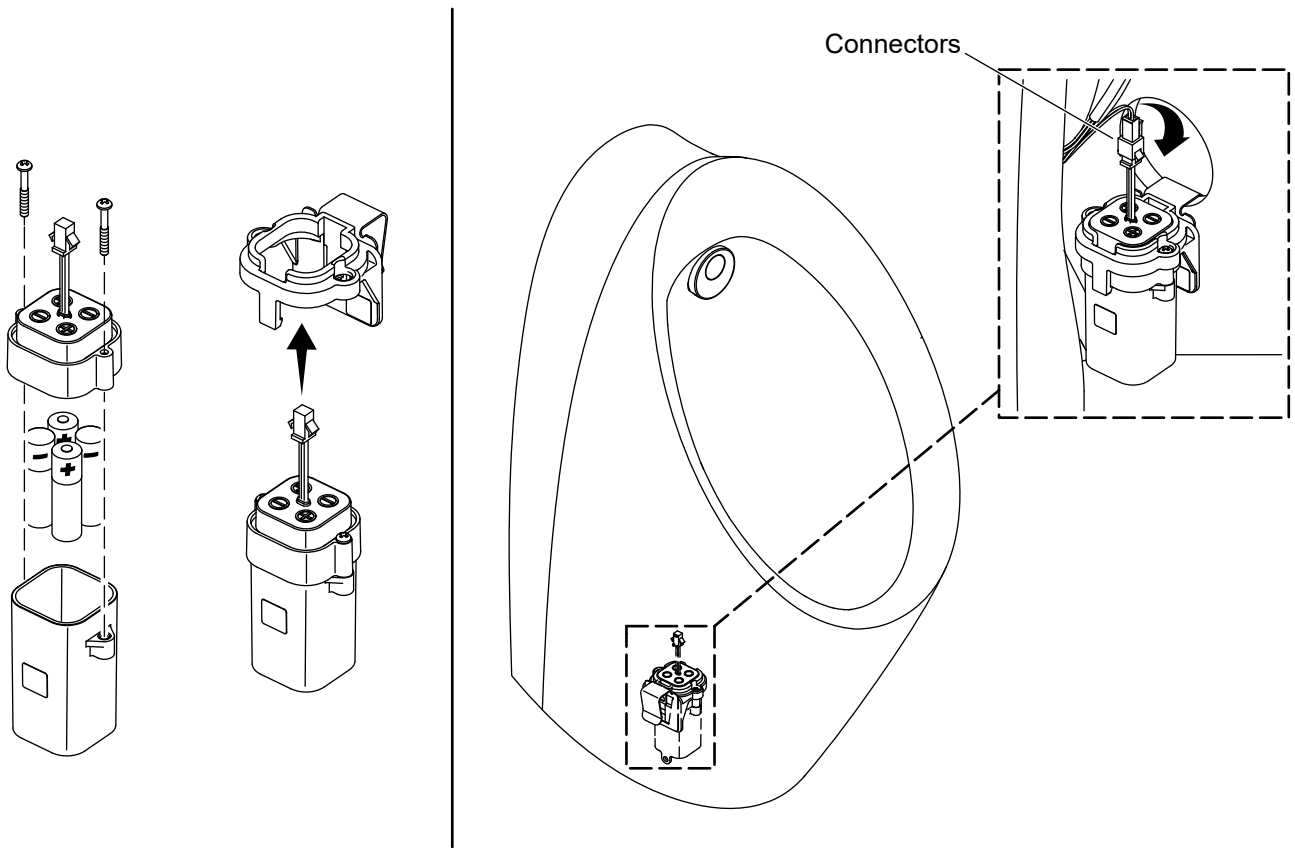
- Position the bottom slot of the wall hangers 8-1/2" (216 mm) above the center of the waste pipe.
- Position the center of the wall hangers 3-9/16" (90 mm) apart and mark the center of the bottom slot for the screws.
- Drill the holes at each location and loosely install a screw through the bottom slot of the wall hanger.
- Carefully hang the urinal on the wall hangers to verify that the urinal will align with the trapway.
- Remove the urinal.
- Position the wall hangers up or down as needed.
- Secure the wall hangers with the provided screws.

## 4. Install the Trapway



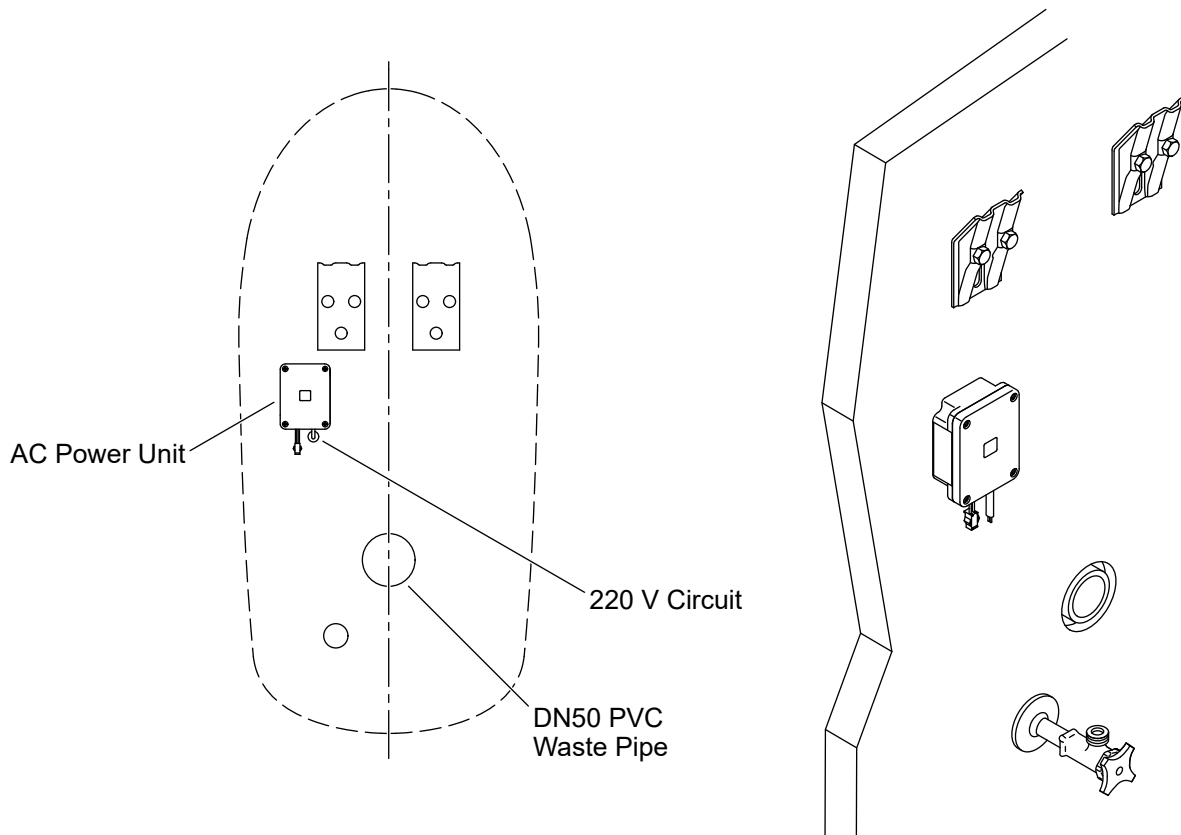
- Position the urinal on the wall hangers. Adjust the extension of the trapway to align with the urinal.
- Remove the urinal.
- Apply PVC glue to the outside of the tube adapter.
- Insert the tube adapter into the waste pipe. Verify that the opening of the trapway is level.

## 5. DC Power - Install the Battery Box



- Disassemble the battery box.
- Insert 4 AA alkaline batteries (not provided) into the battery box.
- Reassemble the battery box.
- Install the battery box to the bracket.
- Connect the battery box connector to the urinal connector.
- Hang the battery box on the right-side inner hole.

## 6. AC Power - Install the AC Power Unit



**⚠ WARNING: Risk of electric shock.** Verify that the electrical power has been disconnected before performing the following procedures.

**NOTE:** The AC power unit must face downward with the wires coming from the bottom.

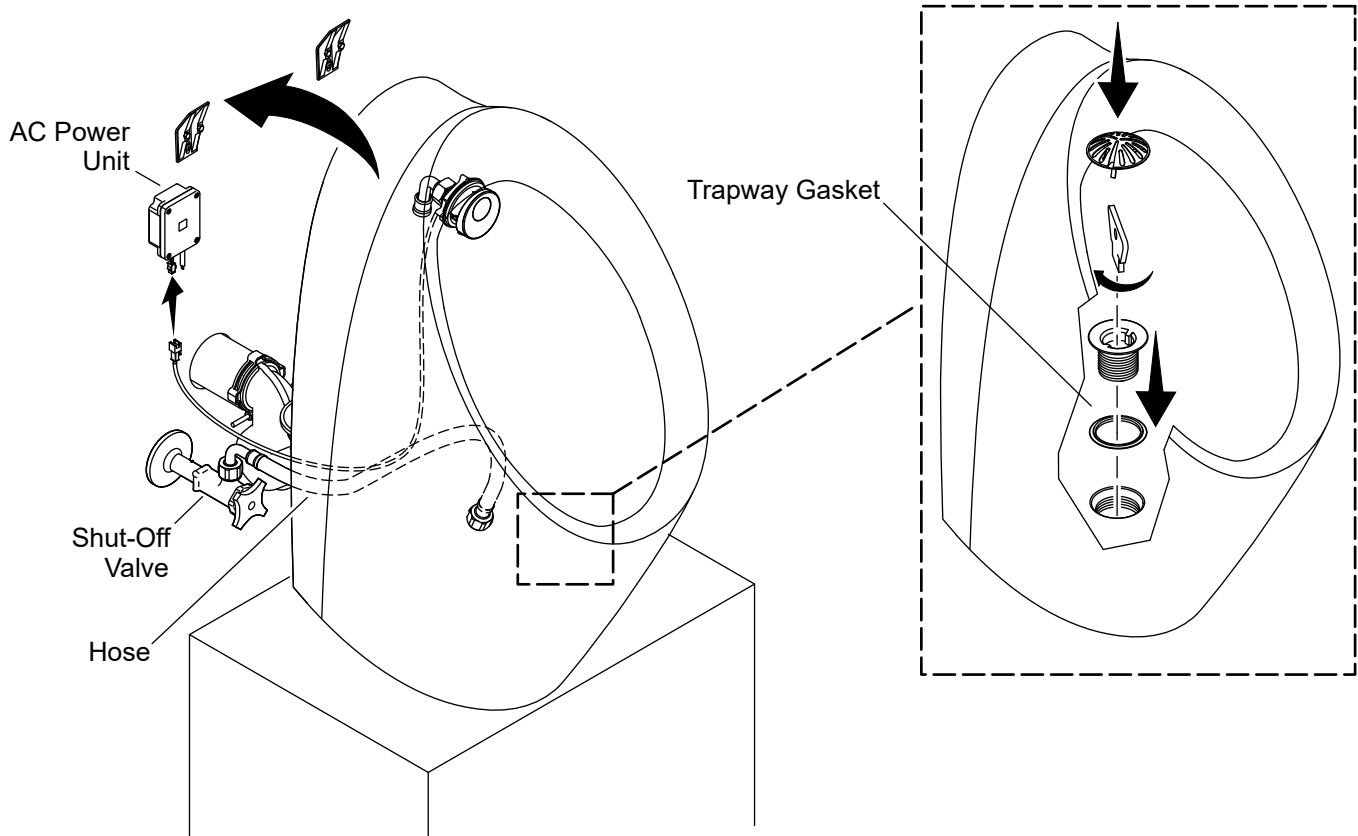
**NOTE:** Do not connect 220 V AC power unit to DC wiring terminal.

**NOTE:** To avoid leakage, do not damage the covering of the AC power unit or remove the screws from the AC power unit.

**NOTE:** The AC power unit can supply power only to one urinal sensor.

- Turn OFF the water supplies.
- Connect the AC input wire to the 220 V circuit.
- Install the AC power unit facing downward. Remove the cover from the adhesive on the back of the AC power unit and press the AC power unit firmly against the wall to adhere.

## 7. Install the Urinal

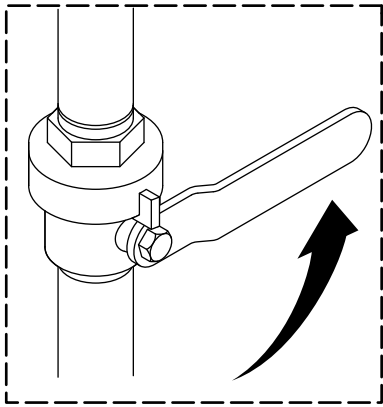


**IMPORTANT!** To avoid damaging the strainer, remove the strainer when cleaning the urinal with abrasive cleaning materials or scouring pads.

- Support the urinal on a stand.
- Connect the hose to the shut-off valve. Tighten the hose 1/2-turn past hand-tight.
- AC Power Installations Only:** Connect the sensor cable to the AC power unit.
- Hang the urinal on the wall hangers. **Do not pinch or kink the hose.**
- Verify that the urinal aligns with the trapway.
- Apply silicone lubricating grease to the trapway gasket.
- Handtighten the collar with the provided tool.
- Install the strainer.

## 8. Test the Urinal

---



- Turn ON the water supply.
- Stand in front of the urinal for at least 10 seconds.
- Step out of range of the sensor. Verify that the valve will flush after a short delay.
- Check all urinal connections for leaks.

THE BOLD LOOK  
OF **KOHLER**®

©2024 Kohler Co.



1611495-T2

1611495-T2-A